



---

# 20L SPOT SPRAYER

OPERATORS HANDBOOK



SVL0020L0038

---



## GENERAL INFORMATION

The purpose of this manual is to assist you in assembling, operating and maintaining your sprayer. Please read it carefully as it contains information which will help you achieve years of dependable, trouble-free operation.

## WARRANTY / PARTS / SERVICE

The RapidLine spot sprayer is warranted for one year from the date of purchase against manufacture or workmanship defects for personal or homeowner usage with proof of purchase. RapidLine products are warranted for 90 days for commercial users. Any unauthorised modification of a RapidLine sprayer will void warranty.

Your authorised dealer is the best source of replacement parts and service. To obtain prompt, efficient service, give the following information:

1. Correct part description and part number
2. Model number of your sprayer

Part description and part numbers can be obtained from the illustrated parts list section of this manual.

Whenever you need parts or repair service, contact your local dealer first. For warranty work, please provide your original proof of purchase to your local dealer.

## IMPORTANT RETURN SAFETY

When you return your pump for warranty or repair, you must always do the following:

1. Flush chemical residue from the unit
2. Tag unit with type of chemicals having been sprayed.
3. Include complete description of operation problem, such as how unit was used, malfunction, etc.

Since unit can contain residues of toxic chemicals, these steps are necessary to protect all the people who handle return shipments, and help pinpoint breakdown reasons.

## BATTERY CHARGING

It is recommended to charge the battery for 8-10hrs before using, or if the battery has been stored for 6 months or more without usage. Once fully charged you should be able to spray up to 150L or 7 consecutive tanks.

### To charge the battery:

1. Plug the charger into a 110V AC electrical receptacle
2. Insert the plug on the opposite end of the charger into the charging jack located on the back panel of the sprayer.
3. Reverse the above steps when completed charging.

**CAUTION:** Never leave the charger connected to the battery for more than 20hrs, as this may damage the battery.

## OPERATION

This sprayer is designed to be pushed or pulled by hand.

Pour solution into the tank and stir to mix. For liquid chemicals it is possible to mix by spraying the handgun into the tank.

Turn the switch to 'ON' position and spray by squeezing the lever on the handgun. The unit is supplied with a demand pump that will only operate while the lever on the handgun is depressed.

## OPERATION PRECAUTIONS

1. **Do not operate in an explosive environment:** arcing from the motor brushes, switch or excessive heat from an improperly cycled motor may cause an explosion.
2. **Do not pump gasoline or other flammable liquids.**
3. **Do not assume fluid compatibility:** if the fluid is improperly matched to the pumps elastomer, a leak may occur.

## TROUBLESHOOTING

Pump will not run:

1. Check fuse next to the power switch. If blown or damaged replace with a new 5A fuse.
2. Insure the battery is fully charged
3. Check that the on/off switch is in the 'ON' position
4. Insure the strainer is located on bottom of the tank is free of debris.
5. Insure there are NO kinks in the inlet/outlet hoses.

## AFTER SPRAYING

After use, fill the sprayer part way with water. Start the sprayer and allow clear water to be pumped through the plumbing system and out through the spray wand. Refill the tank about half full with plain water and use a chemical neutraliser and repeat cleaning instructions. Flush the entire sprayer with the neutralising agent. Follow the chemical manufacturer's disposal instructions of all wash or rinsing water.

## STORAGE

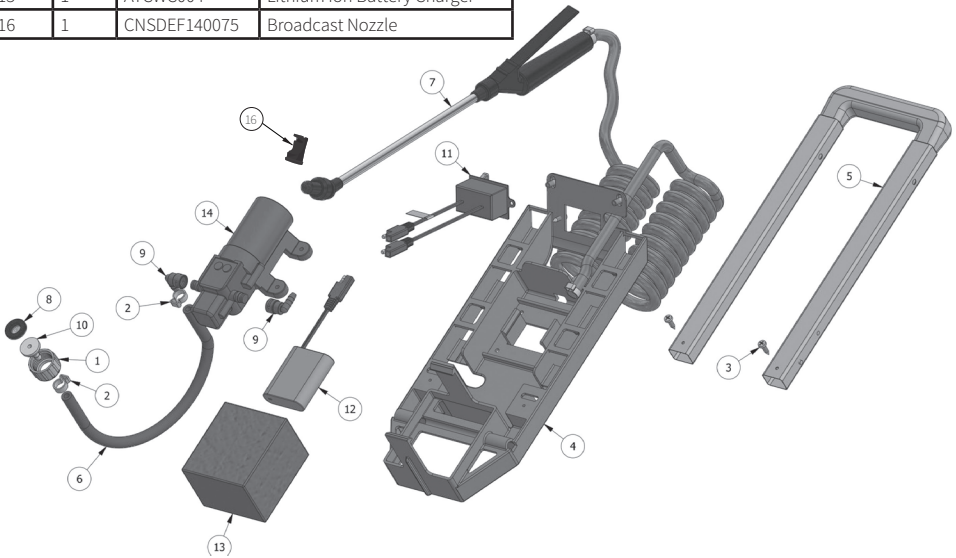
Drain all water and chemical out of sprayer, paying special attention to pump and valves. These items are especially prone to damage from chemicals. Proper care and maintenance will prolong the life of the sprayer.

## WARNING

ALWAYS OBEY MANUFACTURER INSTRUCTIONS.  
SERIOUS INJURY CAN OCCUR FROM IMPROPER  
USAGE. RAPID SPRAY ACCEPTS NO LIABILITY FOR THE  
UNSAFE OPERATION OF THIS UNIT.

## PUMP, HOSE & BATTERY ASSEMBLY

PARTS LIST			
ITEM	QTY	PART #	DESCRIPTION
1	1	CFYF20F	B 3400 P
2	4	CWP600149	Pinch Clamp
3	4	CWP600199	#8 x 3/4 TEK Screw
4	1	CWP610002	Back Panel
5	1	CWP610006	Retractable Handle Assembly
6	1	CWP610011	1/4" Suction Hose
7	1	AHL013H	Economy Lance & Hose
8	1	CWP610023	W 406 Strainer
9	2	CWP610024	EL14QD
10	1	CWP610026	C 1400 CP
11	1	CWP610033	Wire Kit Assembly
12	1	ATCWB006	Lithium Battery Pack
13	1	CWP610040	Foam Battery Adapter
14	1	CWP640454	3.8L/min Pump
15*	1	ATCWC004	Lithium Ion Battery Charger
16	1	CNSDEF140075	Broadcast Nozzle



All tank and spray systems must have their warranty activated by registering online within 21 days of purchase by the end user. Once registered, the full 2 year warranty will be applicable.



See <https://www.rapidspray.net/resources/warranty-registration> to register your Rapid Spray product for warranty or call 1800 011 000.

**REAR COMPARTMENT ASSEMBLY**

PARTS LIST			
ITEM	QTY	PART #	DESCRIPTION
1	1	CWP610000	20L Tank
2	1	CWP610001	20L Tank Lid
3	1	CWP610002	Back Panel
4	1	CWP610003	Charger Panel Door
5	2	CWP610005	ϕ 3/8" Axel Mounting Bracket
6	2	CWP610004	Wheel
7	1	CWP610013	ϕ 3/8" x 14 1/8" Axel
8	2	CWP610019	ϕ 3/8" Cap Nut Black
9	6	CWP610017	1/4-20 x 1/2" Pan Head Screw
10 / 11	2	CHCLD12MMX2	Wand Clip & Wand Clip Screw

