



# FIELDLINK

## OPERATORS HANDBOOK



**FIELDLINK ECO**  
**FIELDLINK PRO**  
400L / 600L / 800L



## CONTENTS

- 01** Introduction
- 02** Warnings
- 03** Product Risk Assessment
- 03** Troubleshooting
- 05** Unit Assembly
  - 06** Mounting Hose & Gun Holder
  - 07** Mounting Controls
  - 08** Mounting Electric Controls
  - 09** Mounting Boom
  - 10** Mounting Hose Reel - Manual & Buddy Smart Reel
- PTO Shaft Instructions
  - 11** Warnings
  - 12** Correctly Size PTO Shaft
  - 13** Fitting PTO Shaft
- 14** Hitching FieldLink to Tractor
- 15** Filling & Mixing
- 16** Calibration
- 17** Spraying
- 19** Cleaning & Maintenance
- 20** FieldLink Breakdown
- 23** Bertolini Poly 2073 Pump
- 25** Warranty
- 27** Warranty Registration

## INTRODUCTION

**Congratulations on your purchase of a Rapid Spray FieldLink 3-Point Linkage Sprayer** which has been designed for effortless spraying of herbicides and pesticides.

The design of the tank enables the unit to be mounted onto tractors of varying sizes from approximately 35HP and greater.



DISCLAIMER: In line with our policy of continuous improvement, the weights, dimensions and design may change slightly from what is shown in the book. Rapid Spray accepts no liability for the unsafe operation of this unit.

## WARNINGS

- 1.** When mounting to any vehicle/tractor, ensure that you have read the Vehicle Owner's Manual and that you comply with all the weight restrictions as specified by the vehicle manufacturer, as overloading can cause injury or death.
- 2.** To ensure your own safety and that of your employees, you must comply with all relevant environmental and work place health and safety regulations and codes of practice.
- 3.** Select and wear the appropriate Personal Protection Equipment in accordance with the label of the product you intend on using and your own safe work practices.
- 4.** Care should be taken when spraying in windy conditions as spray drift may contaminate the air and may effect the operator or damage adjacent non-target vegetation.
- 5.** Once the spraying operation has been completed, decontaminate the spray tank and spray accessories. Dispose of rinsing's in compliance with current environmental and work place health and safety regulations.
- 6.** Personal Protection Equipment must still be worn while decontaminating your hose reel as per warning 3. above.
- 7.** Improper or careless use of this sprayer can cause serious injury. Minors should never be allowed to use this sprayer. This sprayer should not be used when bystanders or animals are in the area. This sprayer should never be used while children are in the area.
- 8.** Never leave the sprayer unattended without turning off the engine and relieving the line pressure, and flushing the sprayer of any harmful chemicals.
- 9.** You must be in a good mental health to operate this sprayer and not be under the influence of alcohol or any drugs that could impair your vision, physical strength, dexterity, judgement or mental capacity.
- 10.** Pump is driven by rotating driveline. Contact can cause serious injury or death. Never operate without driveline guards.
- 11.** No modifications and/or alterations may be made to this sprayer. Any such modifications not only void the sprayer warranty but can make the unit dangerous to anyone operating the pump.
- 12.** Always inspect hoses and piping to avoid burst injuries.

## PRODUCT RISK ASSESSMENT

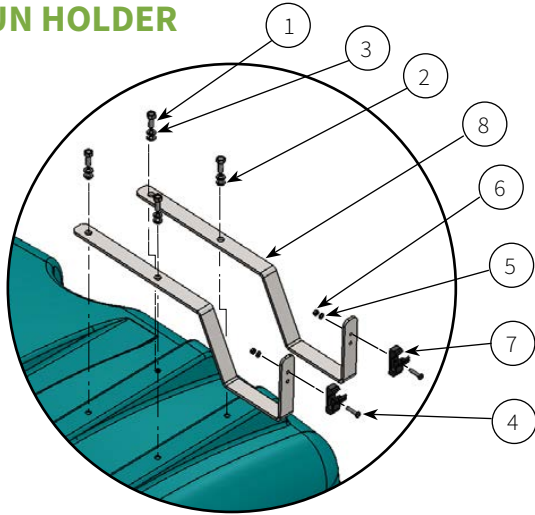
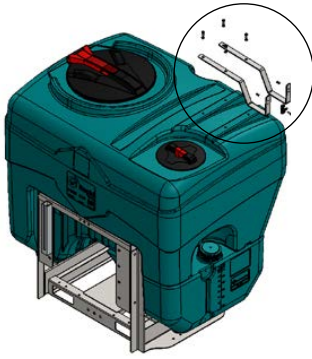
TASK	HAZARDS	RISK	CONTROL MEASURES
1. Partially fill the tank with water, connect the PTO shaft - DO NOT exceed RPM for the PTO and test the spray unit.	Reaching & handling; slips, trips or falls; fingers jammed; pressure blow; electrocution; PTO shaft entanglement. NOTE: PTO and machine must match; can't be opened when operating or the shield is not safely in place.	Med	Concentrate on task; follow safe manual handling techniques; don't lift > 20kg if on your own, bend knees and keep back straight; keep fingers clear; no loose clothing; follow PTO & machine safe operation steps; ensure guard on PTO shaft before use; keep unit at least 8m away from overhead powerlines; fire extinguisher nearby; follow warning stickers on tanks; check hoses; keep substances away from electrical sources.
2. Check weather and select the appropriate PPE to suit the chemicals to be used.	Manual handling; slips, trips and falls.	Low	Put on PPE as per the chemical requirements in the Material Safety Data Sheet - coveralls, gloves, safety, footwear, glasses and respirator; follow safe manual handling procedures: as above.
3. Mix chemicals and fill spray tank units.	As above; spray drift, chemical spillage, emission of vapours or flammability; weather; untrained visitors.	Med	As above; user trained in the state's chemical mixing and administration course e.g. Chem Cert; follow the relevant Environment Protection Authority requirements, fire extinguisher present; keep visitors away from the job unless wearing full PPE.
4. Use spray unit. DO NOT exceed the RPM for the PTO.	As above; loss of load; work in heat and cold; noise; exceed load limit of vehicle; hose and PTO shaft entanglement on terrain and slopes; run over by unit when in use.	High	As above; wear clothes to suit heat & cold; wear hearing protection if pump noise > 85 dBa; follow manufacturer's safe operation instructions for the vehicle and the spray unit; don't overload-water weighs 1kg per 1 litre; secure load to vehicle; hose tidy; brakes on when vehicle stopped.
5. Clean up, maintenance and storage.	As above; PTO greasing; fresh water tank use.	Low	As above; continue to wear PPE for clean up, store tank in a dry, well ventilated area.
Buddy Smart Reel			See ' Buddy Smart Reel Operators Handbook'

## TROUBLESHOOTING

CONDITION	CAUSE	REMEDY
Pump will not prime	<ol style="list-style-type: none"> <li>1. Insufficient motor RPM</li> <li>2. Air leak on suction plumbing</li> <li>3. Blocked/ restricted intake hose</li> <li>4. Filter cap disengaged</li> <li>5. Filter gasket damaged / missing</li> </ol>	<ol style="list-style-type: none"> <li>1. Increase motor RPM until pump primes</li> <li>2. Tighten/ replace fittings and hose clamps. Verify suction hoses are in good condition.</li> <li>3. Remove blockage from suction line, ensure line is not kinked.</li> <li>4. Lock filter cap into position.</li> <li>5. Replace filter gasket.</li> </ol>
Pressure drops / fluctuates during standard operation	<ol style="list-style-type: none"> <li>1. Restriction on suction line</li> <li>2. Pump sucking air</li> <li>3. Plugged filter</li> <li>4. Damaged regulator</li> </ol>	<ol style="list-style-type: none"> <li>1. Inspect tank and suction lines and remove restriction</li> <li>2. Tighten fittings</li> <li>3. Remove and clean filter mesh and housing</li> <li>4. Remove regulator stem and inspect for broken parts / pieces</li> </ol>
Pressure gauge not registering	<ol style="list-style-type: none"> <li>1. Plugged with debris</li> </ol>	<ol style="list-style-type: none"> <li>1. Unthread, check and clean pressure gauge</li> </ol>
Hand gun loses pressure	<ol style="list-style-type: none"> <li>1. Debris in hose or nozzle</li> <li>2. Pump losing prime</li> <li>3. Pump pressure dropping / fluctuating</li> </ol>	<ol style="list-style-type: none"> <li>1. Unthread nozzle tip and clean</li> <li>2. See 'Remedy' for 'Pump will not prime'</li> <li>3. See 'Remedy' for 'Pressure drops / fluctuates during standard operation'</li> </ol>
Buddy Smart Reel		See 'Buddy Smart Reel' Operators Handbook
Pump		See pump 'Operator's Handbook'.



## MOUNTING HOSE & GUN HOLDER



Item No.	Part No.	Qty	Description
1	CHS10M02546Z	4	M10 Bolt x 20mm
2	CHWF10MHZ	4	M10 Washer
3	CHWS10MS	4	M10 Spring Washer
4	CHLM05M025Z	2	M5 x Pan Phillips Head x 25mm
5	CHWS05MS	2	M5 Washer
6	CHNN05MZ	2	M5 Nylock Nut
7	CHCLP12MMX2	Pack 2	Lance Clips
8	ASFL00600FLHH	2	Hose Hangers

### 1. Attach Brackets

Attach hose hangers using bolts supplied.



### 2. Attach Hose Clips

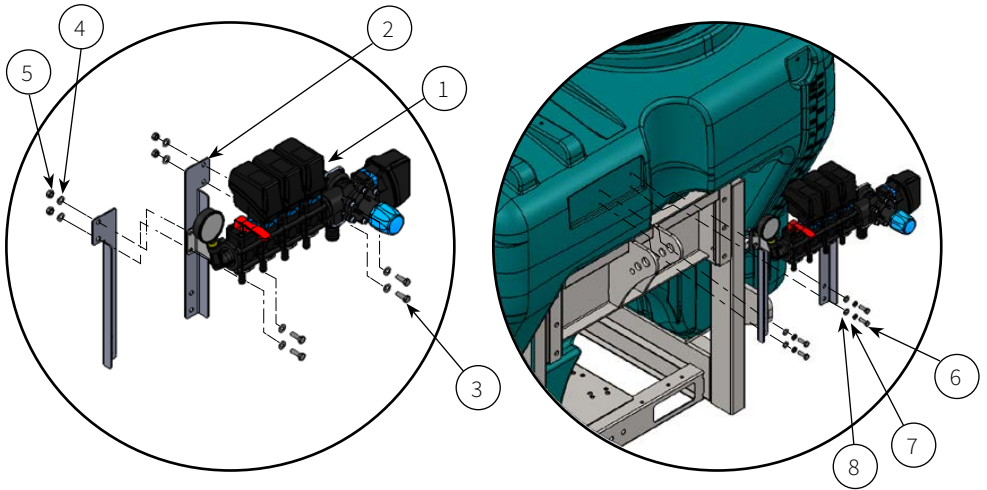
Attach hose clips to front using screws supplied.

Wrap hose around hangers and mount gun.





## MOUNTING REGULATOR



Item No.	Part No.	Qty	Description
1	ARTA20B14024E3M1	1	Arag Controller (optional)
2	ASFL00600FLRB	Set 2	Regulator Mounting Bracket
3	CHS08M02546Z	4	M8 x 25mm Bolt
4	CHWF08MHZ	8	M8 Washer
5	CHNN08MZ	4	M8 Nyloc Nut
6	CHS06M02546Z	4	M6 x 25mm Bolt
7	CHWS06MHZ	4	M6 Spring Washer
8	CHWF06MHZ	4	M6 Washer

### 1. Attach Mounting Brackets & Regulator

Attach mounting bracket using bolts supplied.  
Mount regulator facing forward with bolts as supplied.



### 2. Attach Hoses

Mount three black hoses in order using pin clips.  
Mount clear return hose using large pin clip.  
Ensure pressure control is at half way position.

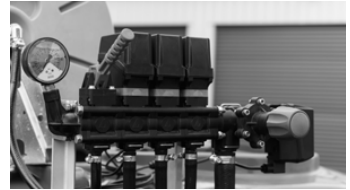


## MOUNTING ELECTRIC CONTROLS



### 1. Mount Regulator & Hoses

Follow regulator mounting instructions as per "Mounting Regulator" on page 7.



### 2. Attach Electrical Cables

Attach control box wires labeled 1 - 3 to each section valve. Insert screws to hold in place.

NOTE: Do not attach wire labeled P.

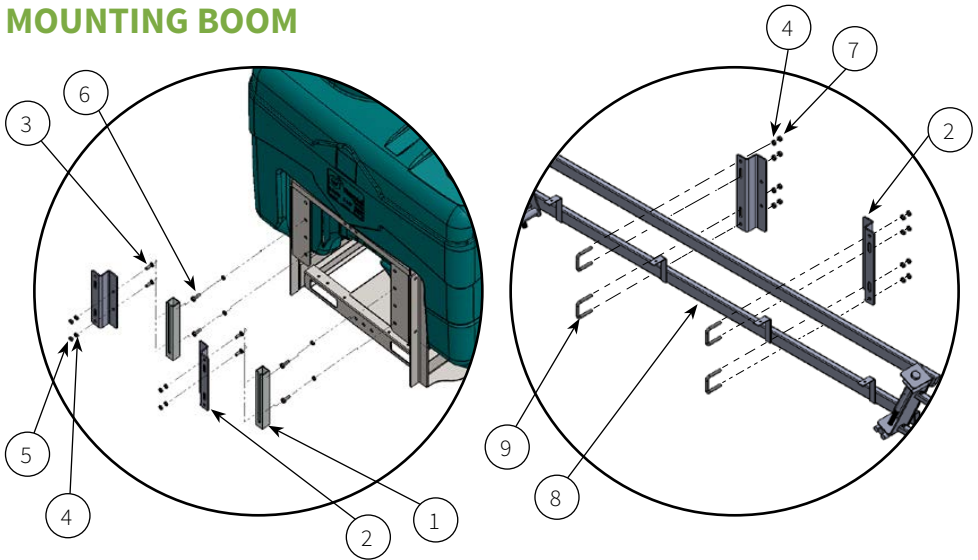


### 3. In-Cab Control Box

Using clips supplied, install/mount control box in the cab of the tractor for easy reach.



## MOUNTING BOOM



Item No.	Part No.	Qty	Description
1	ASFL00600FL (component)	2	Slotted Attachment Mount (component)
2	ASFL00600FL	2	Universal Mount Z-Bracket
3	CBO1030ZP	4	M10 x 30mm Cup Head Bolt
4	CHWF10MHZ	20	M10 Washer
5	CHNN10MZ	6	M10 Nyloc Bolt
6	CHS10M03046Z	4	M10 x 30mm Bolt
7	CHNH10M88Z	8	M10 Nut
8		1	Boom
9	CHUS10M050X060	4	M10 U-Bolt

### 1. Slotted Mounting Attachment

NOTE: Component 1 will be already attached to frame.  
 Attach universal z-brackets. Loosely fit slide bolts.

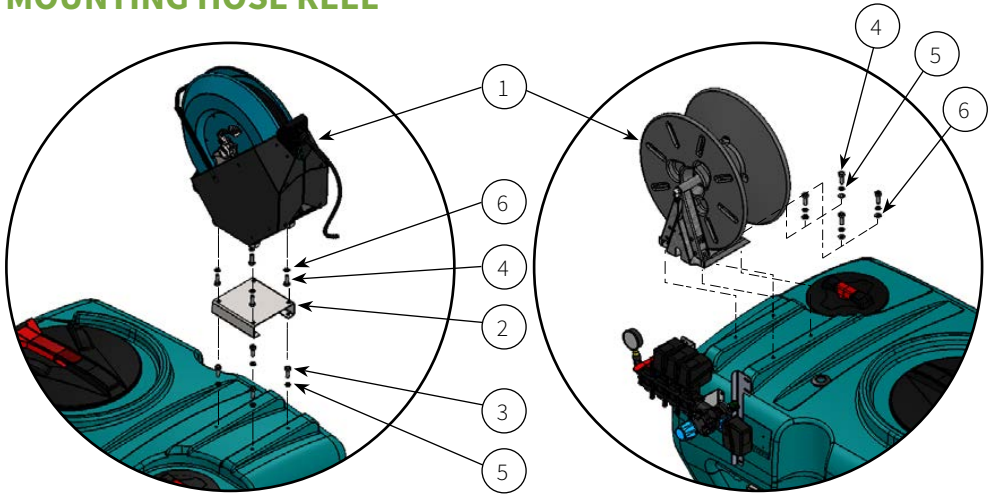


### 2. Mount Boom & Attach Hoses

Slide boom into slotted attachment, set height of boom and tighten slide bolts.  
 Attach boom hoses.



## MOUNTING HOSE REEL



Item No.	Part No.	Qty (Buddy)	Qty (Manual)	Description
1		1	1	Hose Reel
2	ASFL00600FLSB	1		Buddy Mount Plate
3	CHS10M02046Z	4		M10 x 20mm Bolt
4	CHS10M03046Z	4	4	M10 x 30mm Bolt
5	CHWS06MHZ	4	4	M10 Spring Washer
6	CHWF10MHZ	8	4	M10 Washer

### 1. Attach Mounting Plate and Hose Reel

Using bolts supplied, mount Manual hose reel straight onto tank. (No mounting plate required).

Attach mounting plate to the FieldLink tank first, then the Buddy Smart Reel using the bolts supplied.



### 2. Attach Hoses

Run supplied hose from reel to spare outlet on controls. Secure hose tail using pin clip and hose using hose clamp supplied with hose.



## PTO WARNINGS

When operating a PTO shaft, ensure the following:

- Wear tight fitted clothing while connecting and disconnecting your sprayer.
- Shut off tractor and remove the keys before connecting or disconnecting PTO to pump.
- Do not reach over the back of the tractor to adjust the PTO or throttle.
- Never step over a revolving PTO shaft even if shielded.
- Do not operate PTO shaft without guards, damaged guards or using the restraining members correctly attached; ensure guards are in place while spraying.
- Do not expose guarded parts of the shaft by cutting or enlarging grease access holes.
- PTO shafts and safety clutches have to match the power take off and the machine type. See the instructions with your machine for recommended type and size of shaft and clutches. Overload can cause damage.
- Do not operate above recommended speeds. No device (e.g. adapters) shall be installed between the tractor PTO and the PTO drive shaft. No changes may be made to the PTO drive shaft and it's guard, except in length adjustment.



**WARNING: PTO shafts are extremely dangerous and can cause grievous bodily harm or death if incorrectly used. Follow all manufacturer instructions and Safe Work procedures when using PTO driven machinery.**



NOTE: Always wear safety gloves when cutting PTO shaft. Image for marketing purposes only.

## CORRECTLY SIZE PTO SHAFT

Tractor models vary in distance between bottom link arms and the PTO shaft output, as do implements, resulting in a need to adjust the length of your PTO shaft to ensure safe operation prior to the first use.

**WARNING:** Do not operate the tractor PTO until correct fitting has been checked. Doing so will damage your pump and tractor.

STEP-BY-STEP PTO SHAFT CUTTING GUIDE	EXAMPLE
<p><b>1.</b> After hitching your FieldLink to your tractor using the 3PL arms, raise it a height where the PTO shaft output on the tractor and the sprayer align horizontally with each other.</p>	
<p><b>2.</b> Measure <b>INSIDE GROOVES</b> Measure from the groove which runs around the shaft on the tractor to the same position on the FieldLink and take note of this measurement.</p>	890mm
<p><b>3.</b> Remove the safety guards from either end of the PTO shaft.</p>	
<p><b>4.</b> Measure <b>NEW SHAFT</b> (mm) Push the two halves together so that shaft is at it's shortest length and measure from one locking pin to the other; take note of this measurement.</p>	1194mm
<p><b>5.</b> The required shaft length is the first measurement (from groove to groove) minus a minimum of 76mm (3") to allow for disconnection from the tractor. If the shaft is already shorter than this, ensure that minimum of 50% of total shaft length overlaps when in operation.</p>	
<p><b>6.</b> Amount to cut off shaft: NEW SHAFT (Step 4.) - INSIDE GROOVES (Step 2.) + 76mm = CUT TOTAL</p>	1194 - 890 + 76 = 380
<p><b>7.</b> To find the length to cut of each end of shaft, divide the CUT TOTAL from Step. 7 by two. Cut this length off each shaft. CUT TOTAL ÷ 2 = CUT LENGTH</p>	380 ÷ 2 = 190mm
<p><b>8.</b> Cut the CUT LENGTH of both ends of the shaft using a hacksaw or metal saw. Remove burrs from the inside using a file. Grease both ends of the shaft and slide them together to the shortest length.</p>	
<p><b>9.</b> Cut the same amount off both safety tubes from Step 7. Deburr ends and remove any plastic shavings. Reinstall shaft safety guards to shaft ensuring they have locked in place.</p>	

## FITTING PTO SHAFT

### STEP-BY-STEP PTO SHAFT CUTTING GUIDE

1. Install the PTO shaft onto the tractor and FieldLink while shaft is horizontal and at it's shortest length. If you cannot fit the shaft at this point as it is too long, it will need to be shortened further.
2. Without running the PTO, lower the FieldLink to the ground and check the angle of the shaft and universal joints. This angle should not exceed 25° at rest.
3. Raise the FieldLink to the maximum operating height and check the angle of the shaft and universal joints. This angle should not exceed 17° for continuous operations.
4. Lastly, check the overlap of the shaft end exceeds 50% of the total length of the shaft operation to prevent premature failure of the shaft.



See <https://resources.rapidspray.net/blog/how-to-correctly-size-your-3pl-shaft> for full guide with images.



## HITCHING TO TRACTOR

Once your FieldLink has been fully assembled, it is ready to hitch to your tractor. Follow the steps below:

### 1. Align Tractor

Back the tractor up to the FieldLink with the left and right tractor arms at the same height of the mounting points on the FieldLink.



### 2. Insert Pin Arms

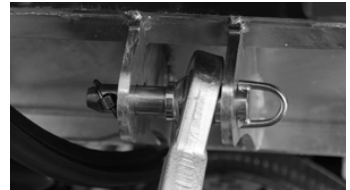
Hook each tractor arm onto a mounting point and secure it with a lock pin.

**NOTE:** Please refer to tractor operating manual for 3-point locking system instructions.



### 3. Insert Pin to Top Link

Hook up the top link to the third mounting point at the centre of the unit and insert the correct sized lock pin.



### 4. Connect Pump

Connect the pump to the PTO shaft and hook on the torque chain to keep the PTO shaft from rotating with the pump rotation.

**NOTE:** See pages 6 - 8 on correctly cutting and fitting your PTO shaft.

**WARNING:** PTO shafts are dangerous. Never work in the vicinity of a PTO shaft while tractor is turned on.



### 5. Test / Level Fieldlink

Using the tractor's hydraulics, lift your sprayer off the ground to ensure it has been secured properly and is correctly aligned with the rear of the tractor. Adjust tractor arms accordingly.





## FILLING & MIXING

The following steps are given as a guide to mixing and filling your FieldLink sprayer.

1. Read the product and follow the instructions carefully, taking special note with regard to the order in which the products are added to the tank.

**NOTE:** Mixing sites must be well away from watercourses and other environmental sensitive areas. Children and animals must be kept away.

2. Measure out the correct quantity of pesticides using clean measuring jugs used only for this purpose.
3. Half fill the sprayer with clean water.
4. Commence agitation of FieldLink with following steps:
  - Pressure control lever must be in the 'by-pass' position. Turn regulator valve knob in an anti-clockwise direction to reduce pressure to 'O' bar.
  - Engage PTO shaft to commence pumping and fluid circulation. Now add the pesticides as measured correctly before to the spray tank while still agitating.
  - Rinse out the measuring jug and pour all rinsing's into the spray tank. Safely dispose of empty containers in compliance with current regulations.
  - Top up the tank with water to the required level; ensure that the tank is not over-filled and the outside is clean and dry before handling.
  - Your Fieldlink has now been correctly filled and the product thoroughly mixed. Spraying can now commence.
5. To commence spraying, move the pressure control lever clockwise to the 'press' position, close the spray gun or boom and turn the adjustment knob in an anti-clockwise direction until your desired pressure has been reached. Open the spray gun or boom and start spraying.



## CALIBRATION

Accurate calibration is an essential element of any spraying function as it ensure that the pesticide is applied at the rate as recommended by the product manufacturer. Application in excess of the recommended rate is prohibited, can damage crops and is uneconomical. View the products packaging for recommended spraying applications.

Calibration must always be carried out:

- Spraying for the first time with new spray equipment
- At the beginning of each season
- After changes of nozzle tips, spraying pressure or speed
- After every 100 hectares of spraying
- Changes in pesticide

**NOTE:** When calibrating a sprayer, appropriate personal protective wear should be worn.

STEP-BY-STEP CALIBRATION GUIDE		EXAMPLE
Read the label. Find the following:	Spray Volume (VOLUME) Product Dose Spray QUALITY	200L / hectare 50L / hectare Medium
Measure: Time / 100m	Measure time to spray 100m in seconds over land similar to that which will be sprayed.	41.9 seconds
Calculate: SPEED	Speed (km/h) = 360 divided by time (seconds)	$\frac{360}{41.9} = 8.6\text{km/h}$
Measure nozzle SPACING	Distance between each nozzle	0.5m
Measure: L/min OUTPUT	Output = VOLUME x SPEED x SPACE ÷ 600 (L/min) (L/hectare) (km/h) (metre)	200 x 8.6 x 0.5 ÷ 600 Output = 1.433L/min
Choose NOZZLE	Refer to nozzle manufacturers data charts or other sources and select the size and type of nozzle that will product the calculated OUTPUT and spray QUALITY	
Now, check the calibration on the sprayer.		
Check Nozzle OUTPUT	With water, check outputs of 4 or more nozzles using a calibrated jug or flow meter. Check all nozzles are aligned correctly and spray patterns are good.	Average Output = 41.9L/minute
Calibrate Sprayer	SPRAY VOLUME = OUTPUT x 600 ÷ SPEED ÷ SPACE (L/min) (km/H) (metre)	1.4 x 600 ÷ 8.6 ÷ 0.5 = 195

If, as in the example, the nozzle output and therefore, spray volume, is less than the recommended figures, increase the pressure and repeat calibration until target spray volume is reached.

## SPRAYING

For effective spraying, ensure you have taken the following factors into account.

1. Before commencing spraying, plan the work effectively to reduce potential contamination.
2. Do not spray if the operator, bystanders, watercourses or any non-target vegetation appears to be in danger from spray drift contamination.
3. Work Rates
  - Speed of operation
  - Water points or nurse tanks
  - Rate of travel
  - Swath width
  - Spray volume applied
4. Wind and drift
  - Wind speed
  - Wind direction
  - Airspeed at boom height
  - Wind direction and drift is controlled by;
    - » Reducing nozzle height
    - » Reducing pressure and using larger nozzles
    - » Fit low-drift nozzles producing larger droplets

**NOTE:** Avoid spraying on still warm days or during the night as convection currents may cause drift in unpredictable directions. Optimum wind speeds are between 3km/h to 7km/h.



See <https://resources.rapidspray.net/blog/effective-weed-kill-reducing-spray-drift> for tips on reducing spray drift.

## SPRAYING CONT.

### 5. Field Work (see diagram below)

- Swath marking and spraying
- Mark out to ensure proper pass matching - use flags, foam markers or tram-lines
- Where large obstacles exist in the middle of an area to be sprayed, mark out and spray the area like a separate headland.
- The perimeter of the field should be sprayed first. The width of two swaths will give adequate turning space at the ends of spray runs.
- Never spray while turning.

### 6. Maintain constant speed when spraying. Should you need to increase your spraying speed, larger delivery nozzles must be fitted. Re-calibrate as required.

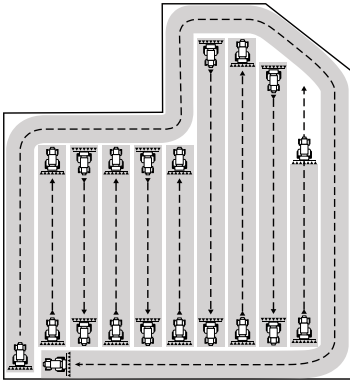


Diagram 1.0  
Field Work Spraying Pattern



## CLEANING & MAINTENANCE

After use, the sprayer must be thoroughly decontaminated, inside and outside. Decontaminating the tank, including pumps, hoses and hand lance, avoids damage to crops from harmful spray residues and prevents sprayer corrosion and abrasion. As a guide, follow the decontamination procedure below:

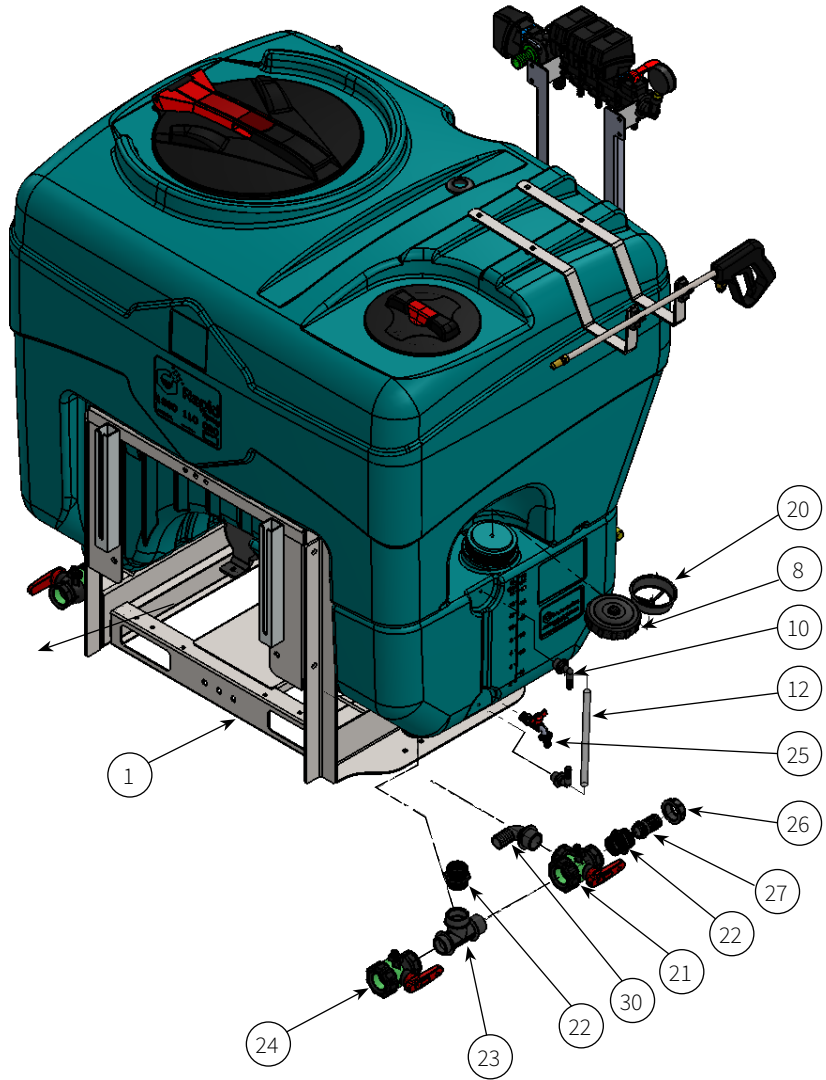
1. After spraying, rinse all liquid out of the tank.  
**NOTE:** When flushing the sprayer, pay attention to where the chemical will run. Always clean in an area that will not contaminate water sources or crops.
2. After draining the tank, rinse the inside by spraying clean water with a pressure washer.
3. Turn the pump off and fill the tank with clean water and a recommended cleaning liquid.  
**NOTE:** to ensure any pesticide residue is removed from the tank, let the water and cleaning solution sit for 8 hours.
4. The suction filter mounted on the sprayer frame must be cleaned regularly. Unscrew the filter cover and remove the filter screen and gasket. Soak in clean water, brushing with a nozzle brush. Ensure gasket is in position when re-assembling.
5. The filter basket strainer is removed by lifting it out of the filler ring. Clean the basket strainer the same way as the suction filter. Replace the basket strainer by exerting a quick downward push ensuring the strainer has seated correctly.
6. Nozzles, nozzle filters, nozzle caps and gaskets should be cleaned by soaking in water, brushing with a nozzle brush and allowed to dry. Never blow through the nozzles with your mouth or use wire or pins to clear blockages. When re-assembling, ensure that the nozzle cap gasket is correctly positioned.
7. Ensuring all nozzles, filters etc. are back in place, flush the water through the entire system; turn the pump on and spray the clean water through the booms and hand lance.

Mounted sprayers tend to be unstable when removed from the tractor. Make sure they are safely chocked before leaving them.

When storing the sprayer, ensure that it is clean and dry. Keep in a well ventilated place.



## FIELDLINK BREAKDOWN CONT.

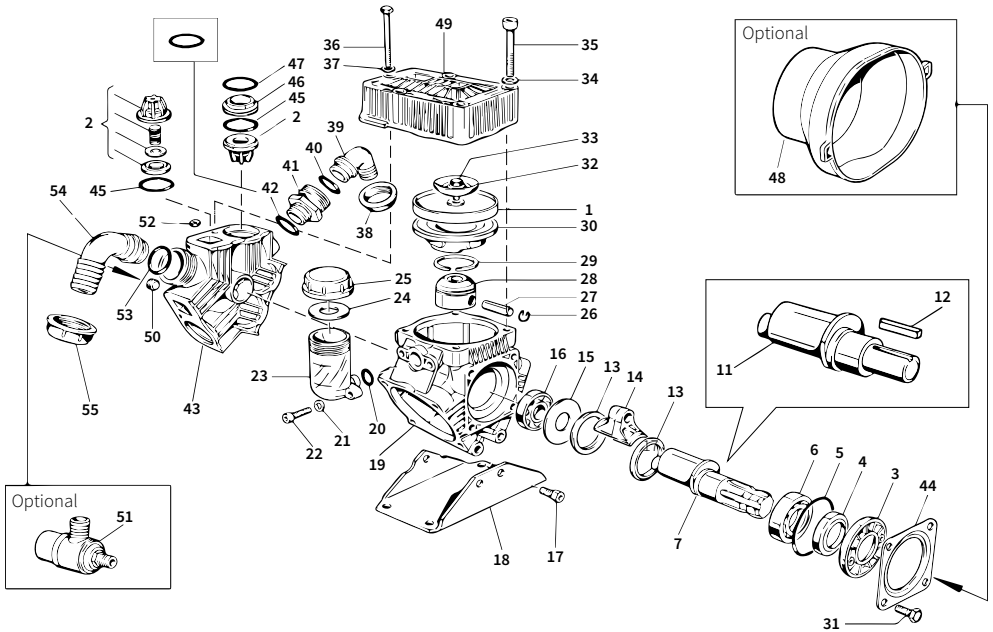


## FIELDLINK BREAKDOWN LIST

POS.	Part No.	Qty	Description
1	ASFL00600FL	1	Steel Frame (600L / 800L)
	ASFL00400FL	1	Steel Frame (400L)
2	ASFL00600FLHH	1	Hose Hangers (Set)
3	ATRA20B14023E3M1FLK	1	FieldLink Pro Electric Controller Kit (Optional)
	ATRA20B14013M4FLK	1	4-Way Controller (Optional)
4	ASFLO00600FLRB	1	Regulator Bracket (Set)
5	CHCLP12MMX2	1	Lance Holding Kit (Pack 2)
6	ARLP250VSR	1	250mm Screw Lid Complete with Rim
7	ARLP450VSR	1	455mm Hinge Lid Complete with Rim & Seal
8	ARLP100	1	100mm Screw Lid
9	APL0750S	1	Bertolini Poly 2073VS Pump Spline Shaft
10	CFTE10M12B	2	3/8" 12mm 90° Hosetail
11	CUVC16MM	1	16mm Clear Vinyl Hose
12	CUVC16MM	1	16mm Clear Vinyl Hose
13	AHG109	1	Spray Gun
14	ATPFSV032T32T	1	Suction Filter with Shut-Off Valve
15	ARK400	1	Basket Filter to suit 450mm Lid
16	ARK200	1	Basket Filter to suit 250mm Lid
17	CBP311468322	1	PTO Shield for Poly 2073 (large)
18	AXPD001	1	Manual Holder
19	CYGRE032	1	1 1/4" Uniseal for 32mm Pipe
20	ARLP100	1	100mm Screw Lid
21	CAP45521115	1	3-Way Ball Valve with 1 1/4"
22	CAP2502050	3	1 1/4" Nipple
23	CAP132050	2	Tee 1 1/4M x 1 1/4F x 1 1/4M
24	CAP45511105	2	2-Way Ball Valve 1 1/4"
25	CFVTB20M	1	20mm 3/4 Brass Bibcock
26	CAP2002050	4	1 1/4" Fly Nut
27	CAP106533	3	1 1/4" - 32mm Hosetail
28	CAP116533	1	1 1/4" - 32mm Elbow
29	CHPL1C252C	2	Category 1 & 2 Implement Pin
30	CFNE32M32B	1	1 1/4" x 32mm Barb Elbow



# BERTOLINI POLY 2073



POS.	Part No.	Qty	Description
1	95.0040.31.2	3	NBR Piston Diaphragm
1	95.0040.33.2	3	Viton Piston Diaphragm (optional)
1	95.0040.36.2	3	HPS Piston Diaphragm (optional)
1	95.0040.00.2	3	Desmopan Piston Diaphragm (optional)
2	28.9809.97.3	6	S.S. Valve Assy
3	53.0007.32.2	1	Housing
4	80.2143.10.2	1	Oil Seal Dia. 35 x 52 x 7
5	80.3310.00.2	1	O-Ring 4.0 x 82
6	81.2837.00.2	1	Ball Bearing Dia. 35 x 62 x 14
7	63.0009.26.2	1	Crankshaft 'VS' Version
11	63.0016.26.2	1	Crankshaft 'VA' Version
12	80.6475.00.2	1	Tab 6.36 x 6.36 x 38
13	26.0047.76.2	2	Ring
14	23.0005.09.2	3	Light Allow Conrod
14	23.0045.11.2	3	Bronze Alloy Conrod (optional)
15	95.0097.61.2	1	Crankshaft Spacer
16	81.2646.00.2	1	Ball Bearing Dia. 20 x 52 x 15

POS.	Part No.	Qty	Description
17	86.3264.00.2	3	Screw M10 x 25 UNI5931
18	63.0006.61.2	1	Mounting Rail
19	63.0001.09.2	1	Crankcase
20	80.3180.00.2	1	O-Ring 2.62 x 15.08
21	84.3685.50.2	2	Washer Dia. 8.2 x 15 x 1.5
22	86.2682.50.2	2	Screw M8 x 25 UNI5931
23	23.0008.32.2	1	Oil Filter
24	82.4120.00.2	1	Gasket Dia. 45 x 19 x 1.5
25	85.2750.00.2	1	Oil Filter Cap
26	80.0021.00.2	6	Ring Dia. 15
27	85.2006.70.2	3	Piston Pin Dia. 15
28	63.0014.09.2	3	Piston
29	81.8504.50.2	3	Piston Ring
30	63.0015.01.2	3	Piston Sleeve
31	86.3184.00.2	4	Screw M10 x 16 UNI5739
32	63.0017.68.2	3	Disk
34	84.3801.50.2	12	Washer Dia. 10.5 x 21 x 2
35	86.3562.50.2	12	Screw M10 x 70 UNI5931
36	86.3002.00.2	3	Screw M8 x 75 UNI5931
37	84.3693.00.2	3	Washer Dia. 8.4 x 17 x 1.6
38	82.0067.50.2	1	Wing Nut G.1"¼
39	84.0542.40.2	1	90° Elbow Connector Dia. 25
40	80.3219.05.2	1	O-Ring 3.0 x 25 Viton
41	83.5089.00.2	1	Nipples G.1" - G.1"¼
42	80.3219.10.2	1	O-Ring 3 x 30
43	63.0003.32.2	1	Manifold
44	17.0016.61.2	1	Flange
45	80.3320.80.2	6	O-Ring 5.34 x 40.65
46	28.0229.32.2	4	Valve Assy Spacer
47	80.3219.80.2	4	O-Ring 3.0 x 39
48	31.1468.32.2	1	Plain Safety Cone
49	63.0022.32.2	3	Head
50	85.2585.00.2	1	Cap G.¾
51	24.3015.97.3	1	Safety Valve 15 bar (optional)
52	84.4574.50.2	3	Nut M8 UNI5588
54	84.0570.00.2	1	90° Elbow Connector Dia. 35 (optional)
54	84.0561.00.2	1	90° Elbow Connector Dia. 30 (optional)
54	84.0566.00.2	1	90° Elbow Connector Dia. 32 (optional)
54	84.0571.00.2	1	90° Elbow Connector Dia. 38 (optional)
54	84.0591.00.2	1	90° Elbow Connector Dia. 40 (optional)
55	82.0070.00.2	1	Wing Nut G. 1"½

## WARRANTY

### Warranty Policies and Procedures

The following warranty is the only warranty applicable to RAPID SPRAY products, and to the maximum extent permitted by law, overrides any other conditions or warranties Expressed or implied on RAPID SPRAY products.

Other than legislative obligations to the contrary, RAPID SPRAY will not be liable for and incidental or consequential damages arising from the ownership or use of a product. No person, including any dealer or representative of RAPID SPRAY is authorized to make any representation or warranty on behalf of RAPID SPRAY in addition or inconsistent with these provisions. Purchasers to whom these provisions apply agree to hold RAPID SPRAY not liable for claims by their customers in excess of the obligations of RAPID SPRAY expressly set forth herein.

NOTE: All tank and spray systems must have their warranty activated by returning warranty card located at the end of this document or registering online within 21 days of purchase by the end user.

### The Warranty

All products sold by RAPID SPRAY are guaranteed to be free from defect in materials workmanship or manufacture for a period of 12 months from the initial date of purchase, excepting the following exclusions;

Any parts/products found by RAPID SPRAY to be defective, either in material or workmanship will be replaced or repaired within this period, at no cost to the initial purchaser if following conditions are met:

- The item has been operated in accordance with all instructions and warnings provided
- Item is still owned and operated by the original purchaser - proof of purchase is



See <https://www.rapidspray.net/resources/warranty-registration> to register your FieldLink for warranty.



**The following things are expressly excluded from the above warranty.**

<b>Abuse</b>	Failure as a result of neglect, such as improper operation. Lack of maintenance or continued operation after discovery of a defect that leads to further damage
<b>Alterations</b>	Any unauthorized alteration, modification, attachments or unauthorized repair to equipment.
<b>Clean-up Time</b>	RAPID SPRAY does not pay for cleaning of products, parts or accessories or work area before or after the warranty repair.
<b>Damage</b>	Damages or machine/component failure caused by carelessness/recklessness or accidental damage, improper operation, excessive speed, inappropriate storage or transportation.
<b>Environmental Conditions &amp; Application</b>	Deteriorated or failed components such as o-rings, diaphragms, hoses, seals and connections damaged by corrosive chemicals, dirt and sand, excessive heat, moisture or other environmental impacts. Warranty determination on these type of failures will be made by RAPID SPRAY, only after inspection of the failed component.
<b>Inability   Unsuitability</b>	In no event shall RAPID SPRAY be liable to any person for indirect or consequential damages or for injury or commercial loss resulting from any use or inability to use any RAPID SPRAY product.
<b>Maintenance</b>	Component failure due to failure to perform maintenance services such as, oil and grease changes/top-ups, failure to clean tanks, pumps filters, nozzles and spray lines. Failure to tighten or replace loose or missing bolts, nuts, fittings, shields and covers.
<b>Non-Genuine Parts</b>	Use of parts other than RAPID SPRAY parts for repair of warranted items will automatically negate any warranty. Warranted components must be replaced with genuine parts.

## WARRANTY REGISTRATION

You can register online at [www.rapidspray.net/resources/warranty-registration](http://www.rapidspray.net/resources/warranty-registration) or complete all the details below and post this form back to:

**Rapid Spray, PO Box 3119, Singleton NSW 2330**

Model ..... Serial No .....

Purchased From .....  
(Dealer Name & Town)

Purchaser's Name .....

Purchaser's Address .....

.....

Purchaser's Phone Number .....

Disclaimer: If you don't want us to keep you informed of new products, please tick the following circle:

**To help us help you further, please complete the following:**

### Purchaser's Age

- Up to 25
- 25 - 40
- 41 - 55
- Over 55

### Principal Usage

- Commercial farm
- Hobby farm
- Industrial
- Other.....
- Town council
- Hire company
- Home

### What influenced you to purchase a Rapid Spray product?

- Received Catalogue
- Newspaper advertisement
- Magazine advertisement
- Dealer recommendation
- Friends recommendation
- Better features than competitor product
- Quality & reliability
- Price
- Past experience with Rapid Spray products
- Other.....

### What other Rapid Spray products do you use?

- Spray tanks
- Cartage tanks
- Diesel tanks
- Fire fighting
- Boom sprayers
- Bertolini pumps & controllers
- Inter knapsacks | Compression sprayers
- Other.....



This page has been left blank intentionally.



---

Call us on 1800 011 000 or  
visit [www.rapidspray.net](http://www.rapidspray.net)

35 Enterprise Cres, Singleton NSW 2330  
PO BOX 3119 Singleton NSW 2330

Telephone: 1800 011 000  
Facsimile: 02 6571 2951

**Rapid Spray Liquid Management Systems**

---

