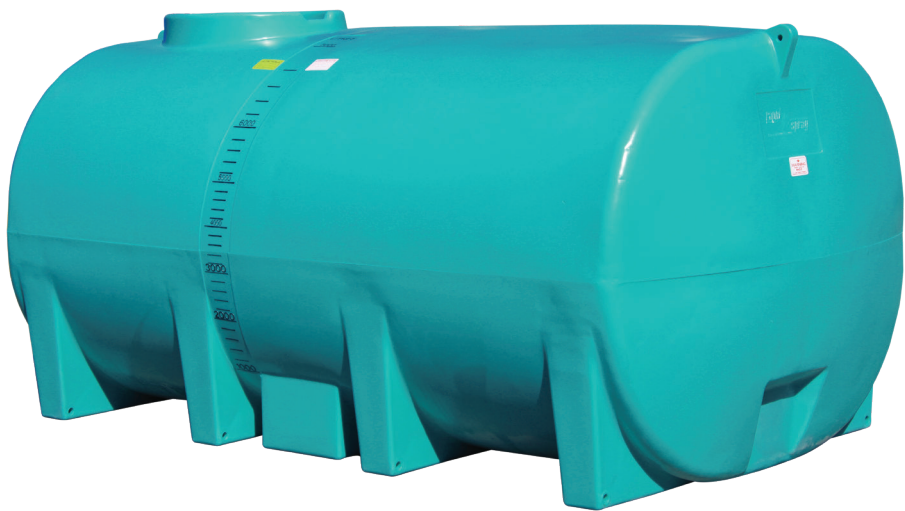




FREE STANDING CARTAGE TANK

OPERATORS HANDBOOK



AQUA-V
ACTIVE LIQUID
MEGA MOLASSES
250L - 15,000L





CONTENTS

- 01** Introduction & Models
- 02** Warnings
- 03** Product Risk Assessment
- 04** Warning Labels
- 05** Load Capacity (SG)
- 05** Liquid Surge
- 06** Frame Design
- 07** Fabrication Details - Skid
- 08** Tank Fitting Locations
- 09** Warranty
- 11** Warranty Registration



Free Standing Cartage Tanks by Rapid Spray





INTRODUCTION

Thank you for your purchase of a Rapid Spray Free Standing Water Cartage Tank.

Ideally suited to water cartage for contractors, farmers, earth movers, landscapers, potable water carriers and many other applications, these tanks are manufactured to highest Australian standards, making them the toughest and most durable tanks on the market.

This booklet covers all Aqua-V, Active Liquid and Mega Molasses tank models.

Please be aware of the different load capacity of your tank, as incorrect usage can cause damage (see page 5).

DISCLAIMER: In line with our policy of continuous improvement, the weights, dimensions and design may change slightly from what is shown in this operators handbook.

***WARNING:** Always obey vehicle and UTV/ATV manufacturer instructions regarding loading and operation. Please check weight restrictions. Serious death or injury can occur from improper usage. Rapid Spray accepts no liability for the unsafe operation of this unit.



WARNINGS

Read all warnings below and obey any instruction stickers or warnings on the spray unit. Failure to do so may result in serious bodily harm or death.

1. When mounting to any vehicle, ensure that you have read the Vehicle Owner's Manual and that you comply with all the weight restrictions as specified by the vehicle manufacturer, as overloading can cause injury or death. Remember that one litre of water weighs one kilogram. Ensure equipment is secure during transport.
2. To ensure your own safety and that of your employees or colleagues (if applicable) you must comply with all relevant environmental, work place health and safety legislation and codes of practice.
3. Ensure the tank is firmly secured in an appropriate manner. Where applicable, tank mounting may need to be designed / approved by an engineer.
4. Care should be taken at all times, particularly when operating on rough or steep terrain. Drivers should be aware of water surge at all times.
5. WHS requirements for working at heights must be complied with where applicable.
6. Select and wear appropriate Personal Protective Equipment (PPE) in accordance with the safe work practices.
7. Improper or careless use of this tank can cause serious injury or death. Minors or persons under the influence of alcohol or drugs should never be allowed to use this tank.
8. The cartage tank is a confined space. Ensure compliance with WHS requirements when entering inside the tank.
9. You must be in good mental health to operate this tank and not be under the influence of alcohol or any drugs that could impair your vision, physical strength, dexterity, judgment or other mental capacity.
10. Do not eat, drink or smoke while filling to avoid ingestion of chemicals / liquids. Do not carry or store lunch boxes or other food and drink with tank.
11. Carry out maintenance as per the recommendations. Ensure that the tank is cool and securely stabilised on a level surface before commencing maintenance.
12. Tanks are not certified for the storage of transport of Dangerous Goods. Do not carry any liquid or substance without first confirming in writing it's suitability for use with the manufacturer.

! WARNING !

Always obey vehicle and UTV/ATV manufacturer instructions regarding loading and operation. Please check weight restrictions. Serious death or injury can occur from improper usage. Rapid Spray accepts no liability for the unsafe usage of this tank.

PRODUCT RISK ASSESSMENT

TASK	HAZARDS	RISK	CONTROL MEASURES
Ensure tank mounted correct on vehicle. Do not overload vehicle. Partially fill tank with water and test the tank or pumping system if necessary before use.	Load not secured; overload vehicle; manual handling; slips, trips or falls; fingers jammed; overhead powerlines - electricity leaks; tanks is a confined space.	Med	Read / follow decals on tank; follow safe manual handling techniques; don't lift on your own if > 20kg, bend knees and keep back straight; keep fingers clear; keep tank is at least 8m away from overhead powerlines; keep water away from electrical sources; make sure tank mounted securely - mounting to comply with all relevant codes of practice and transport authority requirements; don't exceed vehicle load limit; follow state legislation & AS 2865:2001 Confined Spaces; chassis mount frame to be designed by licensed truck body engineer if used on public roads.
Check weather and ground conditions for stability.	Manual handling; ground instability.	Low	Follow safe manual handling techniques as above; drive cautiously to suit ground and weather conditions.
Fill tank with water / other liquid using a pump, hydrant, hose or similar apparatus.	Manual handling; slips, trips or falls; ground instability; weather conditions; falling from height; use of chemicals	Med	As above; ensure fall prevention strategy exists if on the tank whilst on the back of a vehicle filling the tank; work platform or hand rails in place; person secured with safety line or harness fall arrest system in place; follow MSDS
Check the transport vehicle is safe before use i.e. where applicable: wheel nuts, tyre pressure and condition, bearings, tow hitch, up to date servicing etc.; driving and using water tank from a vehicle; take into account the sway of the water in the tank when driving.	As above; loss of load; work in heat & cold; noise; exceed load limit of vehicle; strap breakage; hose entanglement; exhaust fumes; terrain & slopes.	High	As above; wear clothes to suit heat & cold, wear hearing protection if pump noise > 85dBa; follow the manufacturer's safe operation instructions for the vehicle and the pump / spray unit; don't overload - water weighs 1kg : 1L; secure load to vehicle; keep hose attachments tidy. Rapid Spray recommended s the use of the Ball Baffle system to control liquid surge.
Clean up, maintenance and storage	As above where applicable	Low	As above; store tank in a dry, well ventilated area.

WARNING LABELS

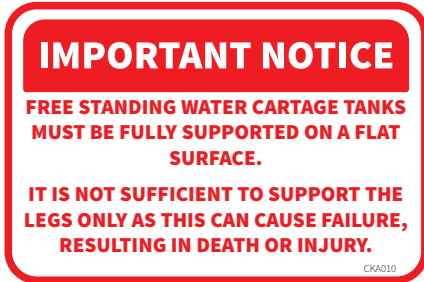
Please take note of the stickers which are attached to the tank below. Please ensure that these instructions are followed. Safety decals should be kept clean and legible at all times. If any decals are missing or unreadable, they should be replaced by ordering new labels from your Rapid Spray dealer. Use the part numbers as shown on the stickers.



CKA008



CKA020



CKA010

LOAD CAPACITY

Please take note of your tank model's load capacity. Do not exceed your tank model's load capacity. If you are unsure of your tank model, please contact your local dealer.

	Aqua-V	Active Liquid	Mega Molasses
Available Sizes	400L - 10,000L	200L - 15,000L	1,000L - 15,000L
Specific Gravity	1.1 : 1 SG	1.3 : 1 SG	1.6 : 1 SG
Suitable for (liquids)	Water only	Water, non-hazardous liquids up to 1.3 SG	Molasses & liquid fertilisers up to 1.6 SG

LIQUID SURGE

To reduce slosh and surge, Rapid Spray highly recommends the use of the Rapid Ball Baffle system to control liquid surge when in transit. Please visit your local dealer or visit rapidspray.net to purchase today.

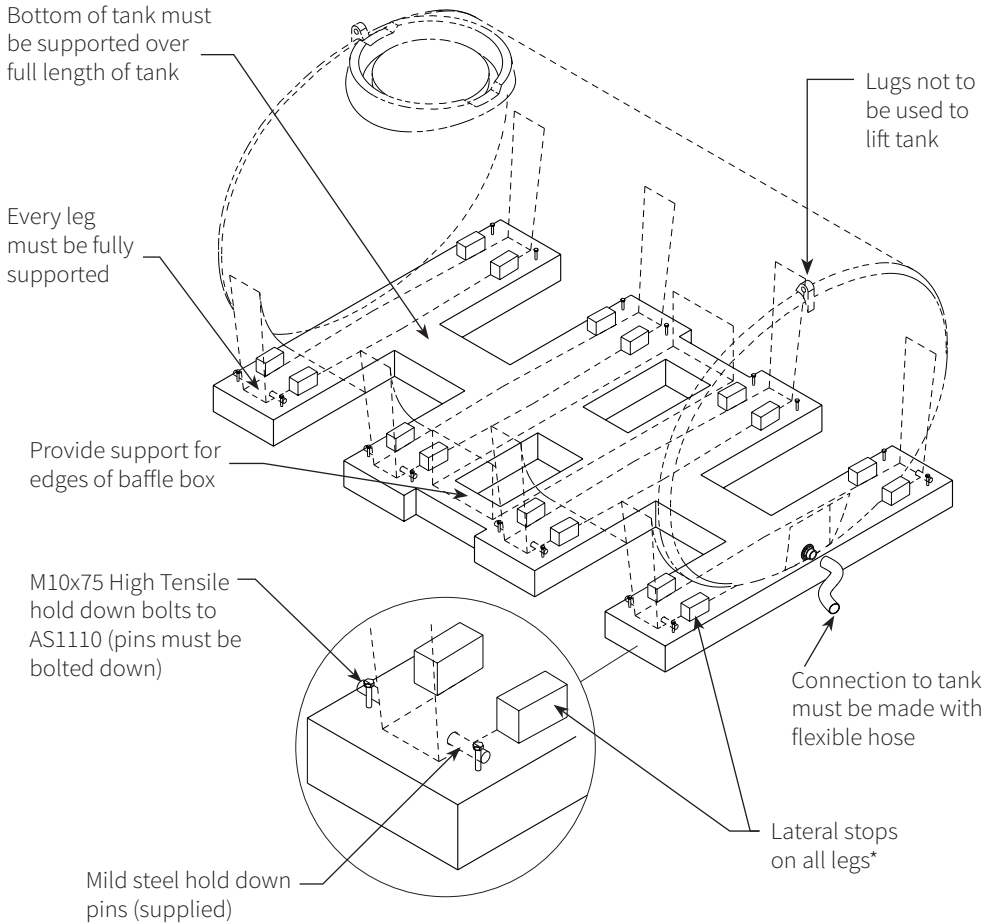
ARB355	ARB195
Large Ball Baffle	Small Ball Baffle
Ø355	Ø195
1 Ball Baffle : 40L	1 Ball Baffle : 7L
≥ 800L	≤ 600L



FRAME DESIGN

Tank warranty is conditional on the tank correctly mounted.

Where applicable mounting may have to be designed and/or approved by an engineer.



*Lateral stops recommended for all tanks 3,000L and larger.



FABRICATION DETAILS | TANK SKID

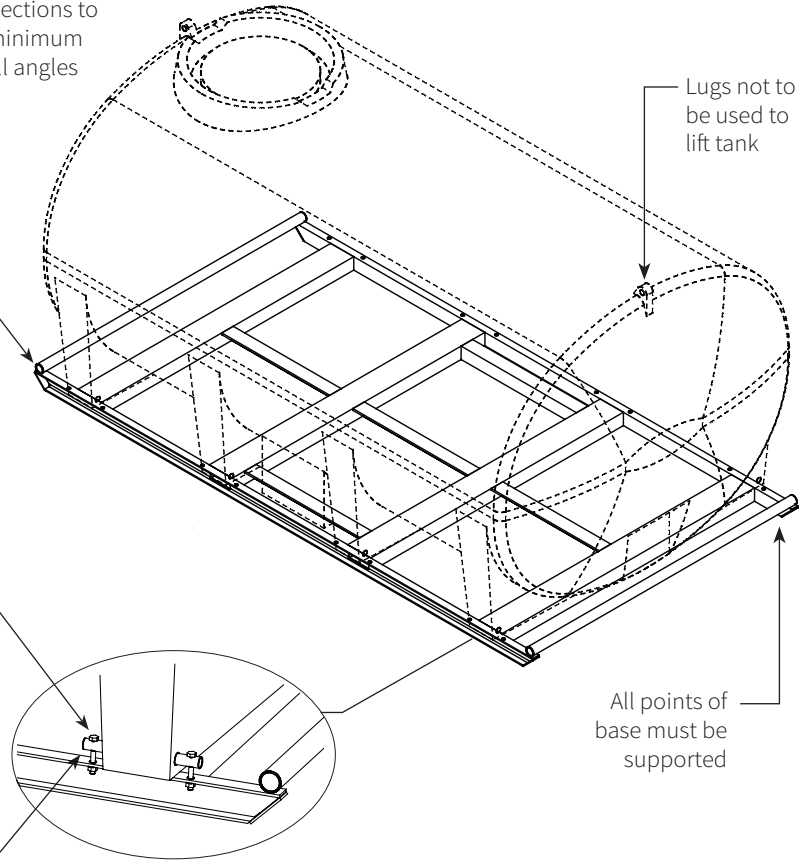
Fully welded frame made from channels, angles or rolled hollow mild steel sections to AS3679.1-25/300 minimum recommended wall angles 8mm, RHS 3mm

Lugs not to be used to lift tank

M10x75 high tensile bolts to AS1110

All points of base must be supported

Mild steel pin (supplied)



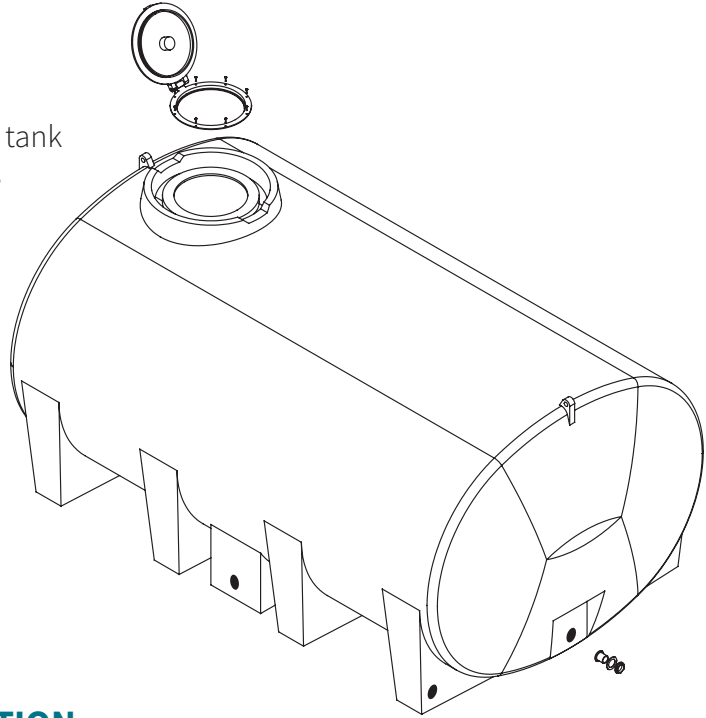


TANK FITTING LOCATIONS

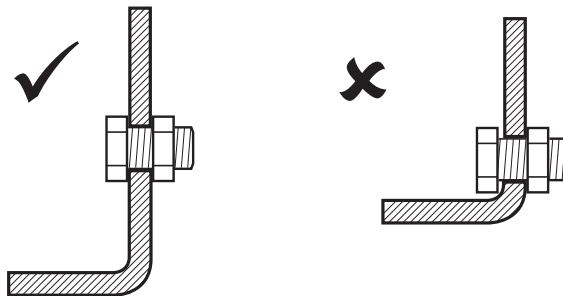
CAUTION: Placing fittings in locations other than those recommended may result in failure or damage and void the warranty.

Only use approved fittings such as brass, poly, poly-welded 1" - 6". Only tanks 10,000L and above can accept fittings larger than 4".

- Recommended tank fitting locations



FITTING SUGGESTION



WARRANTY

WARRANTY POLICIES AND PROCEDURES

The following warranty is the only warranty applicable to RAPID SPRAY products, and to the maximum extent permitted by law, overrides any other conditions or warranties Expressed or implied on RAPID SPRAY products.

Other than legislative obligations to the contrary, RAPID SPRAY will not be liable for and incidental or consequential damages arising from the ownership or use of a product. No person, including any dealer or representative of RAPID SPRAY is authorized to make any representation or warranty on behalf of RAPID SPRAY in addition or inconsistent with these provisions. Purchasers to whom these provisions apply agree to hold RAPID SPRAY not liable for claims by their customers in excess of the obligations of RAPID SPRAY expressly set forth herein.

NOTE: All tank and spray systems must have their warranty activated by returning warranty card located at the end of this document or registering online within 21 days of purchase by the end user.

THE WARRANTY

All products sold by RAPID SPRAY are guaranteed to be free from defect in materials workmanship or manufacture for a period of 12 months from the initial date of purchase, excepting the following exclusions;

Any parts/products found by RAPID SPRAY to be defective, either in material or workmanship will be replaced or repaired within this period, at no cost to the initial purchaser if following conditions are met:

- The item has been operated in accordance with all instructions and warnings provided
- Item is still owned and operated by the original purchaser - proof of purchase is required to obtain warranty



See <https://www.rapidspray.net/resources/warranty-registration> to register your Cartage Tank for warranty.



WWW.JAS-ANZ.ORG/REGISTER



The following things are expressly excluded from the above warranty.

Abuse	Failure as a result of neglect, such as improper operation. Lack of maintenance or continued operation after discovery of a defect that leads to further damage
Alterations	Any unauthorized alteration, modification, attachments or unauthorized repair to equipment.
Clean-up Time	RAPID SPRAY does not pay for cleaning of products, parts or accessories or work area before or after the warranty repair.
Damage	Damages or machine/component failure caused by carelessness/recklessness or accidental damage, improper operation, excessive speed, inappropriate storage or transportation.
Environmental Conditions & Application	Deteriorated or failed components such as o-rings, diaphragms, hoses, seals and connections damaged by corrosive chemicals, dirt and sand, excessive heat, moisture or other environmental impacts. Warranty determination on these type of failures will be made by RAPID SPRAY, only after inspection of the failed component.
Inability Unsuitability	In no event shall RAPID SPRAY be liable to any person for indirect or consequential damages or for injury or commercial loss resulting from any use or inability to use any RAPID SPRAY product.
Maintenance	Component failure due to failure to perform maintenance services such as, oil and grease changes/top-ups, failure to clean tanks, pumps filters, nozzles and spray lines. Failure to tighten or replace loose or missing bolts, nuts, fittings, shields and covers.
Non-Genuine Parts	Use of parts other than RAPID SPRAY parts for repair of warranted items will automatically negate any warranty. Warranted components must be replaced with genuine parts.





THIS PAGE HAS BEEN LEFT INTENTIONALLY BLANK.





WARRANTY REGISTRATION

You can register online at www.rapidspray.net/resources/warranty-registration or complete all the details below and post this form back to:

Rapid Spray, PO Box 3119, Singleton NSW 2330

Model Serial No

Purchased From
(Dealer Name & Town)

Purchaser's Name

Purchaser's Address
.....

Purchaser's Phone Number

Email Address:

Disclaimer: If you don't want us to keep you informed of new products, please tick the following circle:

To help us help you further, please complete the following:

Purchaser's Age

- Up to 25
- 25 - 40
- 41 - 55
- Over 55

Principal Usage

- Commercial farm
- Hobby farm
- Industrial
- Other.....
- Town council
- Hire company
- Home

What influenced you to purchase a Rapid Spray product?

- Received Catalogue
- Newspaper advertisement
- Magazine advertisement
- Dealer recommendation
- Friends recommendation
- Better features than competitor product
- Quality & reliability
- Price
- Past experience with Rapid Spray products
- Other.....

What other Rapid Spray products do you use?

- Hand / Backpack Sprayers
- Cartage / Spray tanks
- Diesel refuelling units / tanks
- Fire fighting
- UTV / Field sprayers
- Pumps, motors and controllers
- Chapin / Jacto sprayers
- Other.....





.....
Call us on 1800 011 000 or
visit www.rapidspray.net

Rapid Spray

35 Enterprise Cres, Singleton NSW 2330
PO BOX 3119 Singleton NSW 2330

Telephone: 1800 011 000
Facsimile: 02 6571 2951

.....



AYH006