



57L & 95L SPOT SPRAYER

OPERATORS HANDBOOK

57L



95L



SVSR0057L0083

SVSR0095L0083



WARNING**IMPROPER USE OR FAILURE TO FOLLOW INSTRUCTIONS CAN RESULT IN EXPLOSIVE FAILURE CAUSING SERIOUS EYE OR OTHER INJURY.**

FOR SAFE USE OF THIS PRODUCT YOU MUST READ AND FOLLOW ALL INSTRUCTIONS. DO NOT LEAVE SPRAYER IN THE HOT SUN. HEAT CAN CAUSE PRESSURE BUILD-UP RESULTING IN POSSIBLE EXPLOSION. DO NOT STORE OR LEAVE SOLUTION IN TANK AFTER USE. ALWAYS WEAR GOGGLES, GLOVES, LONG SLEEVE SHIRT, LONG PANTS AND FULL FOOT PROTECTION WHEN SPRAYING.

DO NOT ATTEMPT TO MODIFY THIS SPRAYER. REPLACE PARTS ONLY WITH MANUFACTURER'S ORIGINAL PARTS.

NEVER SPRAY FLAMMABLE, CAUSTIC, ACIDIC, CHLORINE, BLEACH, PETROLEUM BASED OR OTHER CORROSIVE SOLUTIONS OR HEAT, PRESSURE, OR GAS PRODUCING CHEMICALS. ALWAYS READ AND FOLLOW CHEMICAL MANUFACTURER'S INSTRUCTIONS BEFORE USE WITH THIS SPRAYER AS SOME CHEMICALS MAY BE HAZARDOUS WHEN USED WITH THIS SPRAYER.

ENSURE THE WIRING HARNESS DOES NOT BECOME PINCHED OR DAMAGED IN ANY WAY. THIS MAY DAMAGE THE PUMP OR CAUSE THE WIRING HARNESS TO OVERHEAT, RESULTING IN MELT DOWN OR FIRE.

SOME CHEMICALS WILL DAMAGE THE PUMP VALVES IF ALLOWED TO SOAK UNTREATED FOR A LONG PERIOD OF TIME. ALWAYS FLUSH THE PUMP WITH WATER AFTER USE. DO NOT ALLOW CHEMICALS TO SIT IN PUMP FOR EXTENDED TIMES OF IDLENESS. FOLLOW CHEMICAL MANUFACTURERS INSTRUCTIONS ON DISPOSAL OF ALL WASTE WATER FROM THE SPRAYER.

ALWAYS OBEY VEHICLE MANUFACTURER INSTRUCTIONS REGARDING LOADING AND OPERATION OF YOUR VEHICLE. SERIOUS INJURY OR DEATH CAN OCCUR FROM IMPROPER USAGE. RAPID SPRAY ACCEPTS NO LIABILITY FOR THE UNSAFE OPERATION OF THIS UNIT.

CAUTION

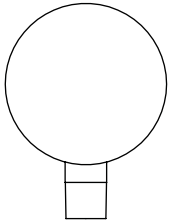
THIS SPRAYER HAS BEEN DESIGNED TO BE ATTACHED TO STABLE SURFACES.

INTRODUCTION

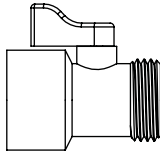
The purpose of this manual is to assist you in the assembly, operation and maintenance of your sprayer or accessories. Please read through this manual completely to fully understand how to operate and maintain your equipment. This product has been manufactured to provide years of dependable service, proper operation and maintenance will ensure its dependability. Keep your manual in a safe, convenient place for future reference. Always mention the model and part number in any correspondence.

CONTENTS

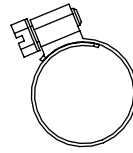
NOT TO SCALE



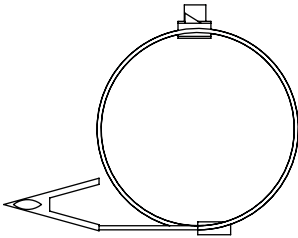
Pressure Gauge
C-1



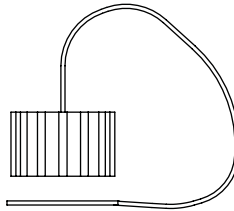
Auxiliary Ball Valve
C-2



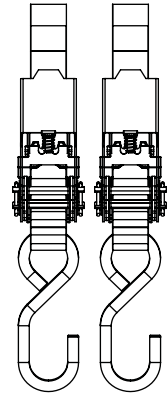
Worm Gear Clamp
C-3



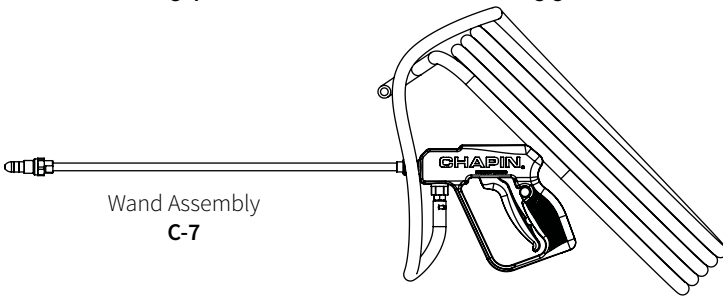
Lead Wire Assembly
C-4



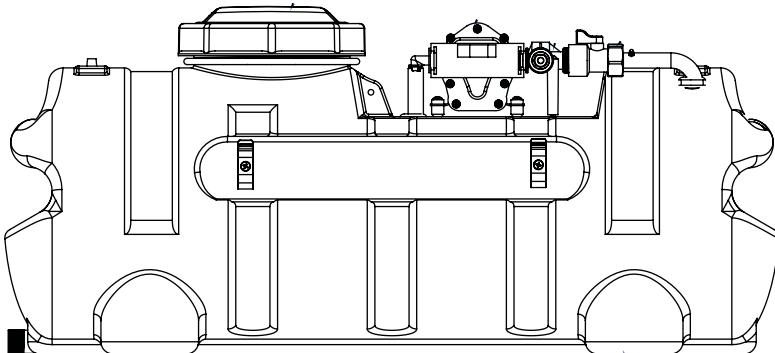
Drain Cap w/ Lanyard
C-5



Ratchet Straps
C-6



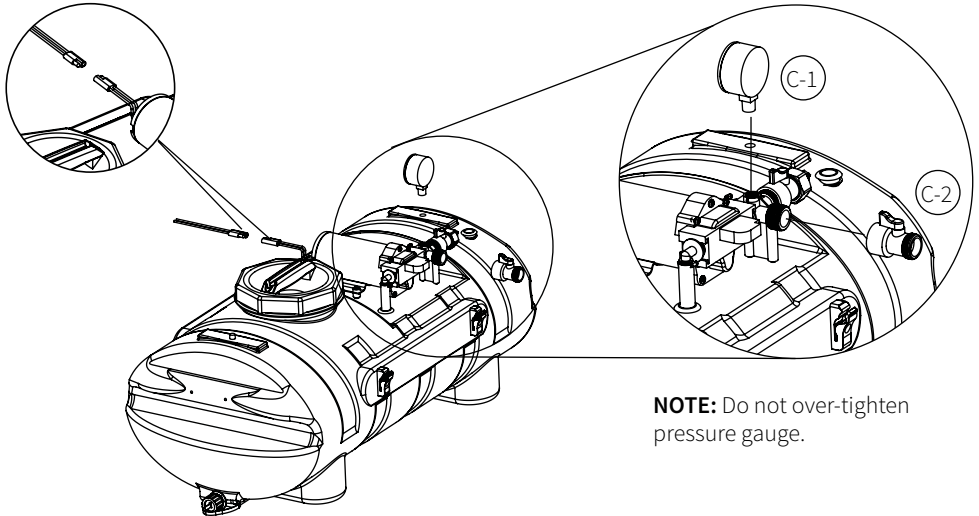
Wand Assembly
C-7



Tank
C-8

PRESSURE GAUGE & BALL VALVE ASSEMBLY

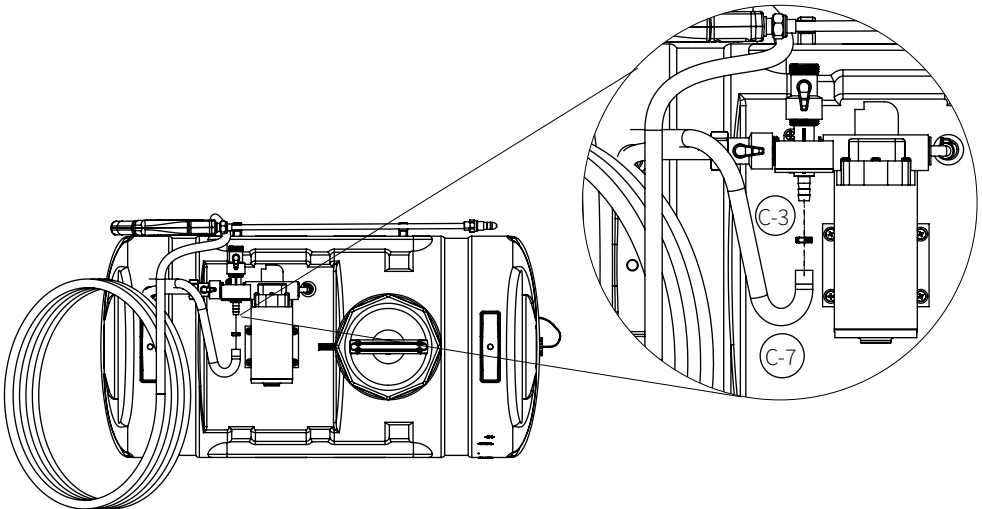
Install pressure gauge (C-1) and ball valve (C-2) to output manifold as shown. Insert lead wire assembly into plug at rear of pump. Join red wire of the lead wire to a +12V source on the garden tractor. The black wire should be grounded or connected to the negative battery post.



NOTE: Do not over-tighten pressure gauge.

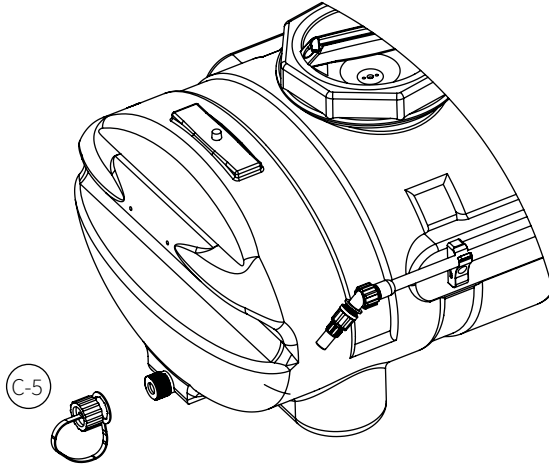
WAND TUBING TO MANIFOLD

Install wand tubing (C-7) to manifold as shown using supplied hose clamp (C-3).

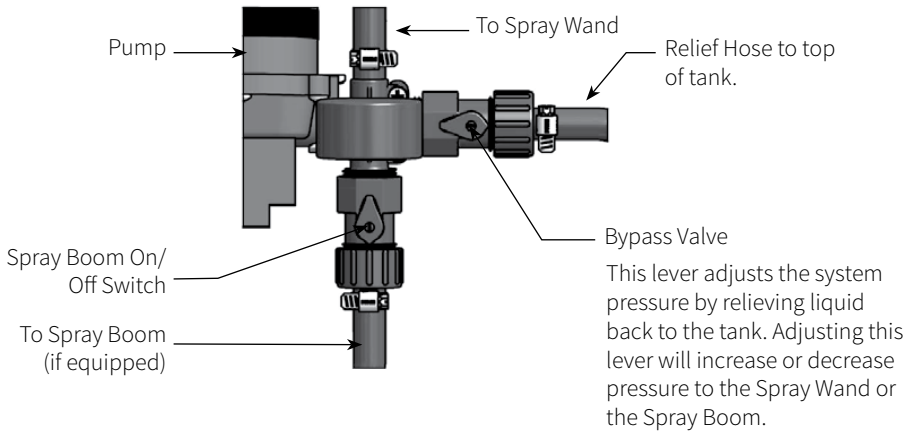


PRESSURE GAUGE & BALL VALVE ASSEMBLY

Install cap lanyard around drain plug. Screw drain cap (C-5) on drain plug.



VALVE OPERATION



OPERATION

The pumping system draws solution from the tank, through the strainer and to the pump. The pump forces the solution under pressure to the spray wand.

The pump has a pressure switch which will shut the pump off when it reaches 60 PSI.

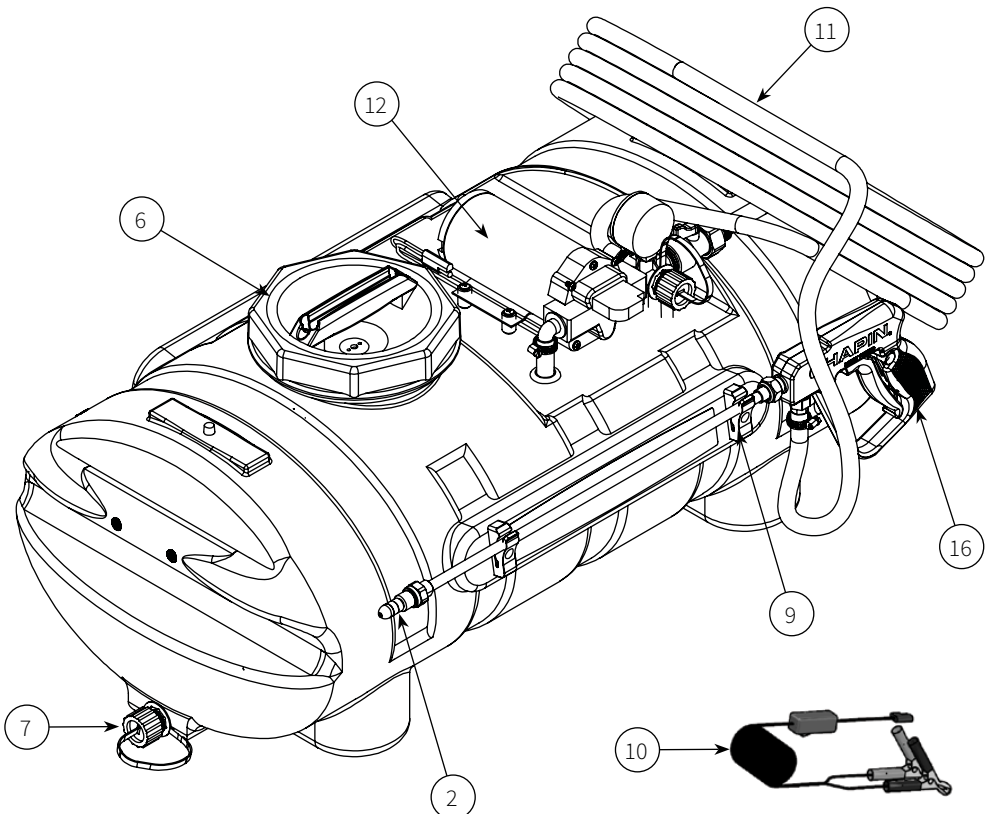
Regularly inspect the suction supply screen on the inside of the tank. Flush with water to clear any accumulated debris.

AFTER SPRAYING

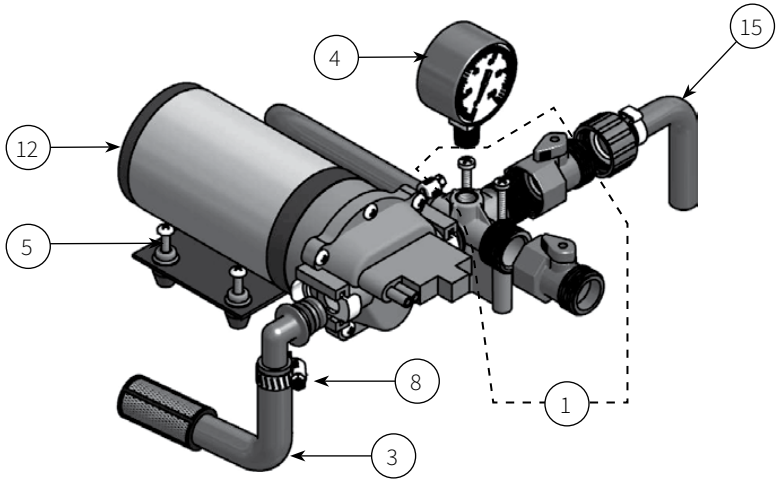
After use, fill the sprayer part way with water. Start the sprayer and allow clear water to be pumped through the plumbing system and out through the spray wand.

Refill the tank about half full with plain water and use a chemical neutralizer and repeat cleaning instructions. Flush the entire sprayer with the neutralizing agent. Follow the chemical manufacturer's disposal instructions of all wash or rinsing water.

BREAKDOWN & PARTS LIST



BREAKDOWN & PARTS LIST Cont.



REF NO.	PART NO.	QTY	DESCRIPTION
1	RPN00132N	1	Manifold Assembly (without gauge)
2	6-6000	1	Nozzle Kit
3	RP00126N	1	Suction Hose Assembly
4	RP00004N	1	Gauge 0-100psi
5	RP00128N	1	10-24 x 1-1/4" Screw
6	6-8146-1	1	Lid Tank
7	RPN00017N	1	Drain Plug Kit
8	CFCW21016MM	3	Worm Gear
9	CHCLP12MMX2	2	Gun Clips & Screws (Pair)
10	ATCWL02412VSA	2	Lead Wire Assy. w/ Switch (96")
11	CUY30010MMX6	1	Hose 4.5m
12	APDR0083Q	1	Pump 8.3L/min
13	CDP3DFE38	1	QD EL 12 P Fitting
14	CYGTE15	1	Rubber Grommet
15	RP00125N	1	Relief Hose Assembly
16	RP0008N	1	Dripless Wand

TROUBLESHOOTING

CONDITION	CHECK
Pump won't start	Correct voltage (12 - 13V) and electrical connections
	Fuse or breaker
	Pressure switch operation
	Rectifier or motor for open or grounded circuit
	Locked drive assembly
	Correct voltage at switch
Pump will not prime (No discharge with motor running)	Debris in strainer
	Restriction (kinks) in inlet / outlet tubes
	Debris / swelling in inlet / outlet valves
Pump will not shut-off (output line closed and no leaks)	Air trapped in outlet line or pump head
	Correct voltage to pump
	Debris in pump inlet / outlet valves
	Loose drive assembly or pump head screws
Lead from pump head or switch	Pressure switch operations / adjustments
	Loose screws at switch or pump head
	Switch diaphragm ruptured or pinched
	Punctured diaphragm if fluid is present



See <https://www.rapidspray.net/resources/warranty-registration> to register your Rapid Spray product for warranty or call 1800 011 000.

