

Delavan 12 Volt Pumps Specification Sheet



APD0265Q12E

Delavan 12 Volt Pumps 7900 Series

Unit Specifications

Item	Description	Details
Pump Models	APD0265Q12E	5 chamber positive displacement pump capable of being run dry
Motor	12VDC	Permanent magnet, totally enclosed, non ventilated
Liquid Temp.		60°C (140°F) max.
Priming Capabilities		4m (14ft)
Max. Pressure		6.7 bar, 100psi (660kpa) pressure sensing demand switch
Open Flow		26.5 L/min
Housing	Pump housing	Polypropylene glass filled
	Motor shell	Coated steel
Valves		Viton
Diaphragm		Santoprene
Leads		12 AWG, 0.3 metres long
Inlet/Outlet Ports		1/2" Quick attach ports 12mm barb elbow
Power Supply		2 pin electrical connector
Fasteners		Stainless steel
Duty Cycle		Intermittent
Weight		3.6kgs
Amps		25 max.

1

Delavan 12 Volt Pumps Specification Sheet

Features

- Dual ball bearing drive promotes longer pump life
- Superior self priming capabilities
- Low amp draw
- All Delavan pumps complete with heavy duty steel cased motor and sealed ball bearings on both ends of motor shaft
- Made in USA

Delavan Pump Accessories

Quick Attach Filters - ATPFS050Q12



- Available to suit 7900 series pumps
- 1/2" Quick attach fitting
- 12mm hose barb for return
- Polypropylene body
- EPDM gaskets
- Stainless steel cartridge 50 mesh
- Filter capacity 20 L/min
- Easy to clean, simply unscrew top, remove strainer and wash out

Wire Harness Kit - ATCWLO3612VSAHC



- Heavy duty 3.6 metre 12 volt wire harness kit with on/off switch, fuse, 2 pin connector, alligator clips and lighter adaptor for vehicles

Quick Attach Regulator & Gauge - ATRM020LQ12G



- 1/2" Quick attach fitting
- 1/2" threaded fitting
- 12mm hose barb for return
- Complete with glycerin filled pressure gauge 200psi
- Internal parts in Delrin and Stainless Steel AISI 303
- Polypropylene body reinforced with fibreglass EPDM gaskets

Quick Attach Connectors

- Available in 10mm & 12mm barb sizes, elbow & straights

Code	Description
CDP5DFA38X2	Quick Attach 10mm straight x2 for 7900
CDP5DFE38X2	Quick Attach 10mm elbow x2 for 7900
CDP5DFA12X2	Quick Attach 12mm straight x2 for 7900
CDP5DFE12X2	Quick Attach 12mm elbow x2 for 7900



2

Delavan Pump Spare Parts Kits

 SPARE PARTS AVAILABLE FOR ALL 12 VOLT PUMPS



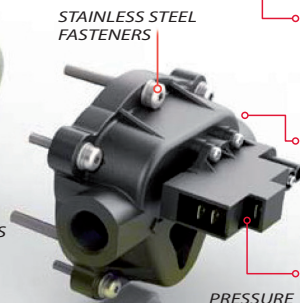
12 VDC MOTOR with ball bearings on both ends of shaft



SANTOPRENE DIAPHRAGM



VITON VALVES



PRESSURE SWITCH

Code	Description
CDPLHA7870	Lower housing assy - for 7900 pumps - Diaphragm

Code	Description
CDPVHA7870	Viton valve kit

Code	Description
CDPPH7970PS	Pumphead complete for 7900 pumps

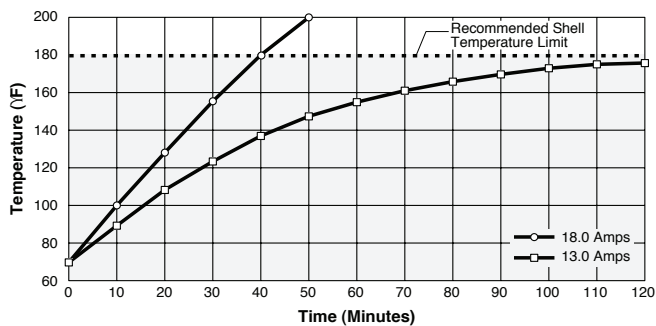
Code	Description
CDPFBR102	Pressure switch only - to suit 7900 series pumps

Delavan 12 Volt Pumps Specification Sheet

Pump Performance - APD0265Q12E

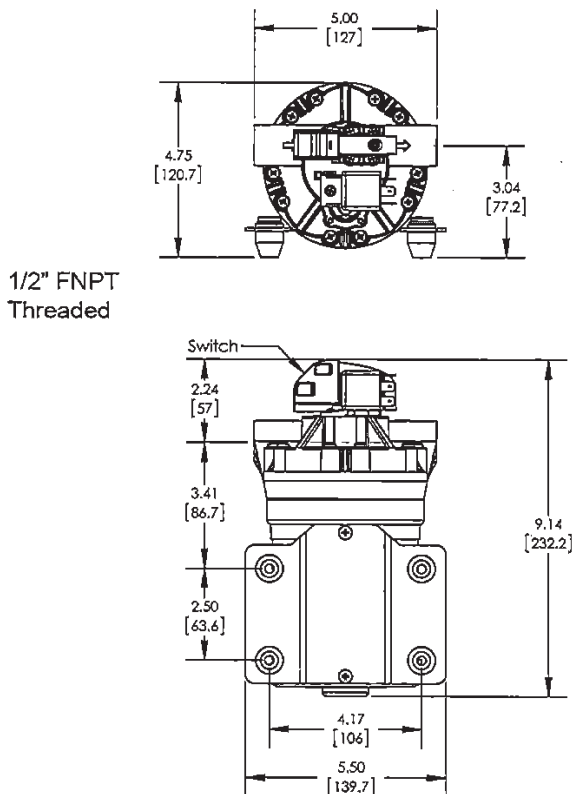
PSI	LPM	Amps
10	26.4	11
20	25.7	12
40	22.5	13
60	18.8	17
80	14.9	21
100	9.6	25

Heat Rise

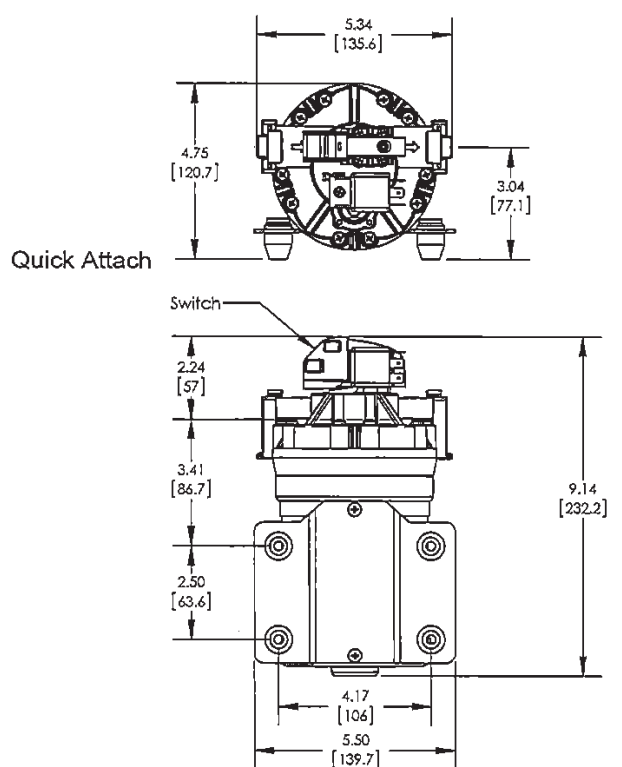


Approximate values, actual values will vary with ambient temperature.

Pump Dimensions [mm] – APD0265Q12E



1/2" FNPT
Threaded



Quick Attach